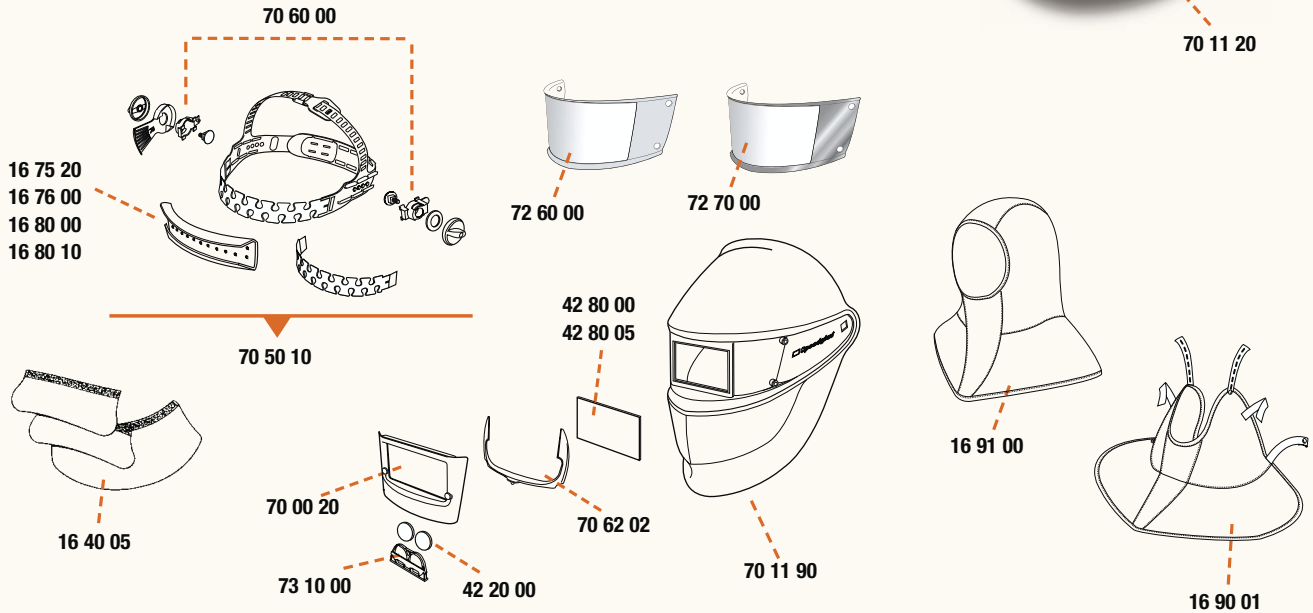


3M™ Speedglas™ SL Welding Shield



70 11 20



Accessories and spare parts

Part no.	Description	Part no.	Description	Part no.	Description
16 40 05	Ear and neck protection in leather (3 parts).	42 20 00	Battery, pkg of 2.	70 50 10	Headband with mounting details.
16 75 20	Sweatband, towelling, purple, pkg of 2.	42 80 00	Inner protection plate (42 x 91 mm), pkg of 5. Plate marking 42 02 00.	70 60 00	Mounting details for headband.
16 76 00	Sweatband, towelling, pkg of 20.	42 80 05	42 80 00, pkg of 200.	70 62 02	ADF locking frame, pkg of 2.
16 80 00	Sweatband, leather.	70 00 20	Speedglas SL welding filter, variable shade 8-12.	72 60 00	Outer protection plate, standard, pkg of 5. Plate marking 030226.
16 80 10	Sweatband, fleece, brown.	70 11 20	Speedglas SL welding shield, variable shade 8-12.	72 70 00	Outer protection plate, scratch resistant, pkg of 5. Plate marking 030248.
16 90 01	Neck protection black/grey TecaWeld.	70 11 90	Welding shield only (excl. headband).	73 10 00	Battery cover.
16 91 00	Hood black/grey TecaWeld.				

Speedglas™ Utility Welding Shield

Spare parts

Part no.	Description
16 50 10	Headband with mounting details
40 82 00	Inner welding shield.
42 20 00	Battery pkg of 2.
42 60 00	Outer protection plate standard, pkg of 10. Plate marking 42 01 50.
42 60 05	42 60 00, pkg of 200.
42 80 00	Inner protection plate, pkg of 5. Plate marking 42 02 00.
42 80 05	42 80 00, pkg of 200.
43 20 01	Front, black.

